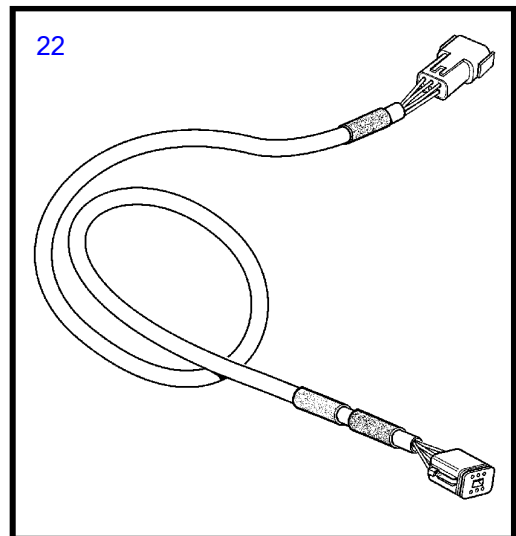
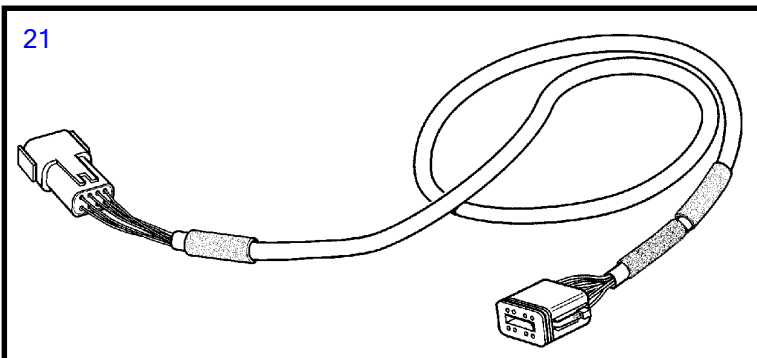
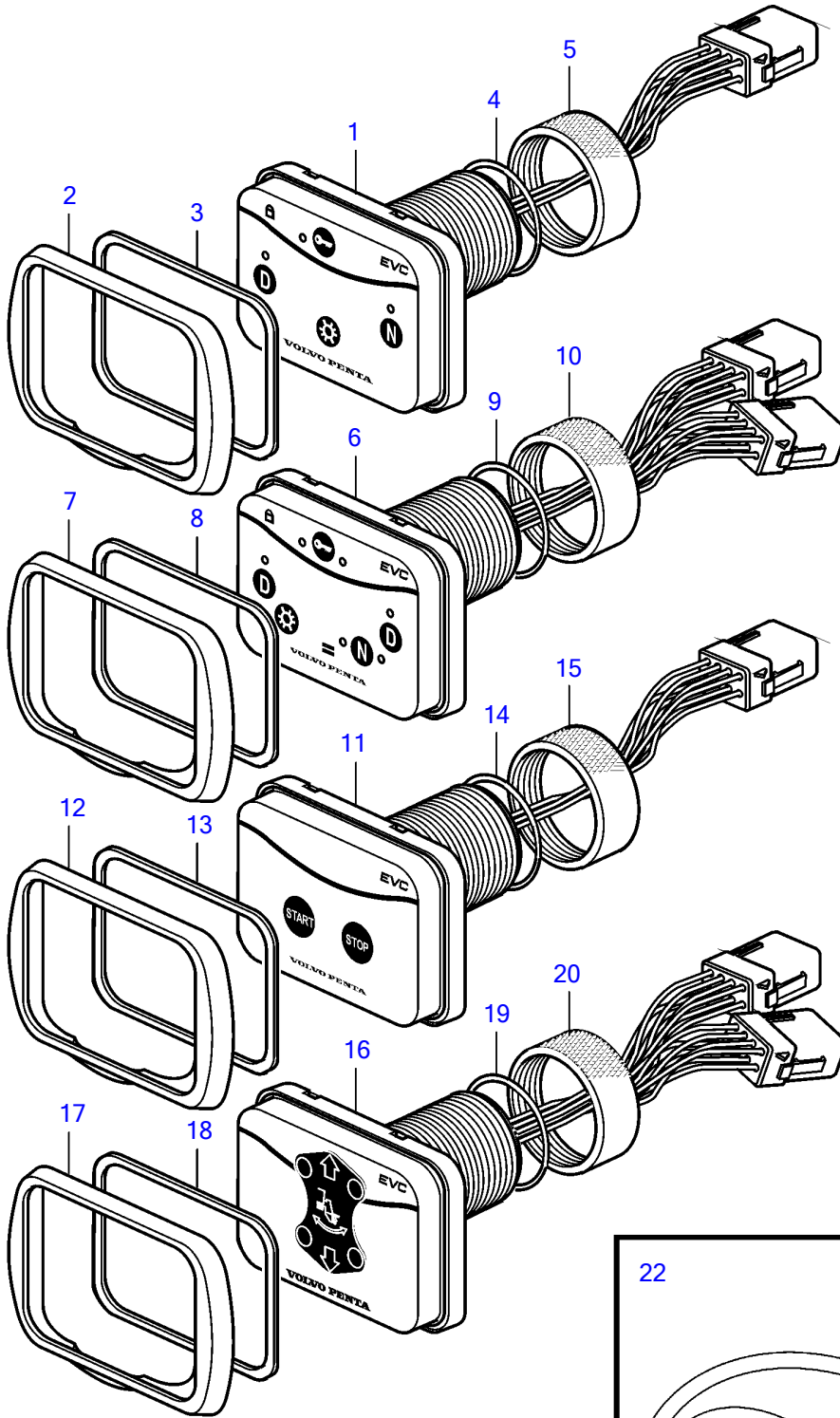


D4-210A-A, D4-210I-A, D4-260A-A, D4-260A-B, D4-260I-A



D4-210A-A, D4-210I-A, D4-260A-A, D4-260A-B, D4-260I-A

REF	PART NO.	QTY	DESCRIPTION	NOTES
1	874459	X	Control panel	Single installation
2	874149	1	• Frame	
3	874192	1	• Gasket	
4	874191	1	• O-ring	
5	874193	1	• Round nut	
6	874460	X	Control panel	
7	874149	1	• Frame	
8	874192	1	• Gasket	
9	874191	1	• O-ring	
10	874193	1	• Round nut	
11	874461	X	Control panel	
12	874149	1	• Frame	
13	874192	1	• Gasket	
14	874191	1	• O-ring	
15	874193	1	• Round nut	
16	889744	X	Control panel	
17	874149	1	• Frame	
18	874192	1	• Gasket	
19	874191	1	• O-ring	
20	874193	1	• Round nut	
21	874677	1	Cable kit	EVC control panel cable, 8-pole for HCU., L=1.5m
22	874749	1	Cable kit	For start and stop panel 874837 for HCU., L=1.5m